

A GUIDE TO REPLACING YOUR KITCHEN CABINET DOORS

PREPARED BY LEE BEADLE

**HOME IMPROVEMENTS AND
SUPPLIES LTD**

0800 180 4590

email: hiands1@gmail.com

A Guide to Replacing your Kitchen Cabinet Doors

This guide has been written to help you with a kitchen makeover using your existing layout and deals with measuring your kitchen cabinets, kitchen cabinet doors and drawer fronts.

All of the door designs we offer are symmetrical which avoids the need to purchase doors as left-handed or right-handed. This overcomes one of the common errors in ordering replacement kitchen doors.

All our doors come pre-drilled with hinge holes at 100mm from top and bottom of doors as standard. Doors can also be ordered undrilled so that you can drill them yourself or you can specify where you would like hinge holes to be drilled.

If you are not used to ordering kitchen doors, it is very easy to miss one or order the wrong size. If you use the suggested method in this guide and use the grid at the end of this guide to help you note down the sizes that you need you shouldn't go too far wrong. However, check, check and check again before placing your final order.

Things to Know – Hints and Tips

Measurements are always taken in millimetres

Whilst this should not be problematic, it is surprising how many people find this confusing. Don't worry if this causes you a problem. Just complete your measurements in centimetres and we can help covert it for you.

Doors are usually narrower than the kitchen cabinet that they sit on

Kitchen Cabinet doors are usually made with a tolerance of +/- 1millimetre. The majority of our doors are 4mm narrower than their unit although you may find that some are 5mm. This is perfectly normal and is standard kitchen design.

Look at your existing kitchen cabinets and you will see that there is a small gap between the doors to prevent rubbing against a neighbouring door. You may have not noticed this before but it is important to understand to help you order the correct door size.

Using a system for measuring up

It is surprisingly difficult to measure a kitchen and many customers will either measure a door more than once or forget one altogether. Producing a plan to record your measurements will help as will using post-it notes or sticky labels to ensure that you have measured everything. Most importantly, count the number of doors and drawers in your kitchen; unless making changes the number should match the number of new doors that you order!

Measure doors on the inside

Many kitchen cabinet doors and drawer fronts have moulded or shaped fronts which can make measuring a little tricky. It is usually easier to measure the back of a door or drawer front as they are nice and flat.

Ordering Doors for a New Kitchen.

If you are ordering doors to go on brand new kitchen cabinets you should already have the unit sizes and the recommended door sizes to order. If you don't have these, follow the instructions for measuring replacement doors.

Measuring your Doors

The easiest way to order your new doors is to measure the old ones, assuming they are fitted to modern cabinets and they fit without unsightly gaps, but first check as follows:

1. Inspect your Doors and Cabinets

Firstly you need to ensure that the cabinets that are installed in your kitchen are still adequate to refurbish your kitchen. Open a kitchen door and measure the thickness of the cabinet. This should either be 15mm or 18mm and cabinets should be in good condition to be able to properly refurbish your kitchen.

If a cabinet is damaged, this can often be replaced by ordering just the cabinet you require rather than a complete new range of cabinets. Cabinets should ideally be made from MFC (melamine faced chipboard).

It is important that the doors have been fitted to the cabinets using hinges that are drilled into the back of the door in 35mm circular hinge holes.

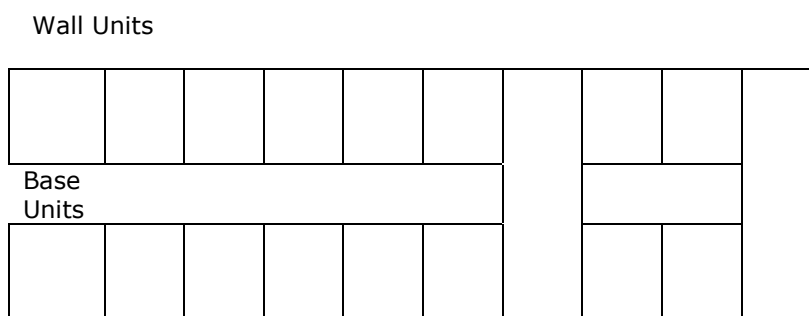


The other ends of the hinges should be fitted to a plate on the inside of the cabinet and the door should close on to the front edge of the cabinet, not inside the opening.

2. Draw your Kitchen

A drawing will help you to ensure that you measure and record all of the information you require. It doesn't have to be detailed or to scale, but make sure it's nice and big so you can add plenty of notes. It also helps to show base units and wall units visually so that you can see what you are doing. You can use the sheet at the end of this document to help you.

Your drawing might look something like this:



3. Measure your Cabinets or Doors

You can either measure your kitchen cabinets or measure the doors that are fitted to them. Either way will give you the size of door to order. Knowing both measurements will ensure that where a door is not supplied in the size you expect, you can still order the correct size door.

A household tape measure should be adequate to measure your cabinets and doors. Work around your kitchen systematically measuring all the doors and drawer fronts on base units first and then the wall units.



Measure each cabinet or door individually and record your measurements in millimetres taking the height measurement first and then the width. Record your measurements on a sticky label (low tack) or a post-it note and attach it to the front of the door so that you can see that you have already measured it.

As previously mentioned, a door is normally 5mm less than the height of the cabinet and 5mm less than its width. Some doors might be 4mm or even 3mm less than the standard width to give an almost seamless finish.

A cabinet 720mm high and 400mm wide should have a door 715mm high by 395 wide. (396 or 397 from some ranges.)

Depending on the manufacturer's tolerances, you would order a door, 715x395 or 715x396 or 715x397 or something similar.

4. Record Hinge Requirements

In addition to ordering kitchen cabinet doors you will also need to order hinges.

If fitting doors to **new cabinets** you will need to order hinges as they do not usually come with the kitchen units or doors if purchased separately. You will not need to measure the position of hinges as your kitchen cabinet doors will come pre-drilled in standard positions however; you should still record which type of hinge you will require for each door.

If **replacing** your kitchen cabinet doors you will need to decide whether the existing hinges can be re-used. However, we would recommend that it will be quicker and easier to replace hinges when fitting your new doors. New hinges will have soft close action which will extend the life of your doors.

Hinges for kitchen cabinet doors come in two standard "sizes":

- 110/120 degree hinges open 110/120 degrees and are best for doors which you can only open to just past a right angle. These are the most common hinges used for doors which are next to another door or open against a wall.
- 165/170 degree hinges open almost all the way out and are ideal for units where the door can open without obstruction or where you need easier access to the unit. They are normally used in corner cupboards.

Note how many hinges you require on each door and which type you require. If replacing the doors rather than fitting them to new cabinets, the location of the hinge holes is also important.

The easiest way to fit your new kitchen cabinet doors is to have your hinge holes drilled in the same place as on your old doors. However, you will only be able to do this if the units are sound and there is no splitting around the hinges.

If there is any doubt about how sound the board around the location of the hinges is, then you can have the hinge holes drilled away from the holes left by the old screws.

Hinge holes are measured by measuring the distance from the centre of the hinge to the top and bottom on the door. The distance from the edge is standard so you don't need to worry about this. You should already have checked that hinge holes are 35mm in diameter (across the hole).

Make a small pencil mark to the side of the centre of the hinge hole. Now measure the distance from the pencil mark to the top or bottom of the kitchen door to get your measurements.

All of our doors can be either left or right-handed and can come pre-drilled at 100mm as standard. If your measurements are 100mm and you are replacing hinges in the same location, then you will not need to record where holes should be drilled. However, do double check each door as it is not uncommon for some older kitchens to have doors drilled at different positions.



If the old doors are drilled 100mm top/bottom, and you are fitting new hinges away from the old position you can specify either 80mm top/bottom or 120mm top/bottom so that the screws for the new hinges will be away from the holes left by the old screws. (You can always fill the old holes for aesthetics)

If the distances are not 100mm then you will need to record where the hinge holes should be drilled. If top and bottom distances are the same there is no need to record which way the door should be hung as it will hang either way. However, if the top and bottom distances for hinge holes are not the same you will also need to make a note of whether hinges are located on the left or right of the door.

The majority of doors will have two hinge holes (doors up to 715mm). Larger doors may need three or even four hinges.

Where a door has 4 measurements just specify the two measurements from the top and the two measurements from the bottom. E.g 100mm/700mm top/bottom. For a 3 hole door you might specify 100mm top/bottom and central 450mm

Ensure that you have recorded all of your measurements on your sticky label or post-it note and stick the label to the front of the door.



5. Measuring Drawer Boxes and Drawer Fronts

If you are refurbishing your kitchen you may wish to use your existing drawer boxes and replace the fronts.



If you are measuring for replacement drawer fronts, then you can measure them in exactly the same way as for doors. Open the drawer and measure from behind taking care to measure more carefully as it can be slightly trickier working from behind the drawer front. If you can't measure easily it may be easier to remove the drawer to measure.

If your drawer boxes and runners are becoming a little tired, now is the opportunity to replace the drawer boxes and runners and decide whether you can change the current configuration of drawers or just update them with soft close runners.

If you have a base unit with one drawer at the top then you are probably best leaving the same configuration. If you have for example, a 4 drawer base unit then you can easily change it to a drawer unit with 2, 3 or 5 drawers. Maybe you would prefer deeper pan drawers or more shallower drawers? This is possible if you understand how drawer packs work.

Measure the height and width of the base kitchen cabinet as previously covered.

A 720mm base unit fitted with one drawer and a door (known as drawer line configuration) will mean that combined height of both the drawer and door will be 10mm less than the height of the base unit i.e. 720mm x 600mm unit would require 1 x drawer front 140mm x 495 and 1 door 570mm x 495.

Each additional drawer front will reduce the overall combined height by 5mm. When calculating the height of drawer fronts on a unit that only has drawers divide the height of the cabinet (normally 720mm) by the number of drawers. If there are 5 drawers, this will be 144mm. Deduct the usual 5mm from each drawer and you need 5 drawer fronts; in this case the nearest size would be 140mm.

Examples:

2 Drawer Unit – Deep Drawers

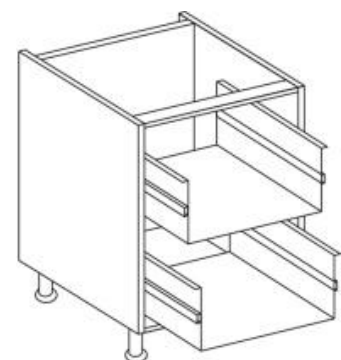
The unit is 720mm high by 500mm wide

Total height of 710mm for drawer fronts so you would order:

2 x Drawer fronts 355 x 495 (or 496 depending on the range)

2 x Soft close Drawer Boxes - Deep Drawer for 500mm cabinet

Not forgetting of course to add your handles



4 Drawer Unit – Shallow Drawers

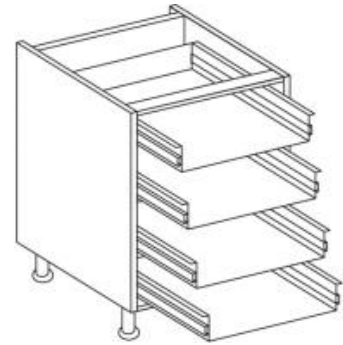
The unit is 720mm high by 600mm wide

Total height of 700mm for drawer fronts so you would order:

4 x Drawer fronts 175 x 595 (or 596 depending on the range)

4 x Soft close Drawer Boxes - Shallow Drawer for 600mm cabinet

Not forgetting to add handles



3 Drawer Unit

A 3 drawer unit is slightly different as it will require drawers of different depths. You can either have:

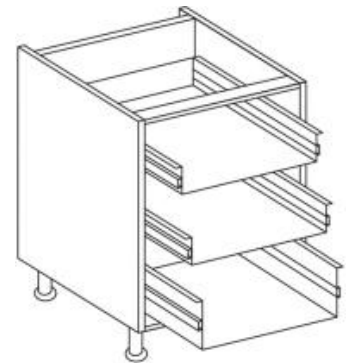
- a) 1 deep drawer and 2 shallow drawers

1 x 355mm drawer front and deep drawer box and 2 x 175mm drawer fronts and shallow drawer boxes.

or

- b) 1 shallow drawer and 2 deep drawers

1 x 140mm deep drawer front and shallow drawer box and 2 x 283mm deep drawer fronts and deep drawer boxes.



6. Drawer Packs

Once you have determined your drawer front requirements you can also order drawer packs.

Drawer packs are sold by the width of the cabinet, not the drawer front.

Our drawer packs come ready built with soft close runners and are easy to install. All you need to know is the width of your kitchen cabinet.

As above your drawer fronts will be 4mm or 5mm narrower than the width of your unit depending on the range.

We recommend the shallow drawer boxes for drawer fronts up to 250mm high and the deep drawer boxes for anything taller.

Make a note on your sticky label or post-it note the number and sizes of drawer boxes you need to order.

7. Count your Handles

Once you have measured everything else, count the number of handles you will need for the new doors. It is common not to have a handle on a blanking panel in front of the sink but you can fit one if you prefer the look. Make sure it is the same number as the number of doors you are ordering (minus any blanking panels).

8. Write everything on your diagram

Now you have filled in your sticky notes and post-its, carefully transfer the information to your drawing.

This serves as a really good double check and also provides you with a master document to use when everything turns up a few days later and you have forgotten where everything goes! (If you are going to be fitting your own kitchen you could also leave the labels inside your kitchen cabinets as a secondary check when things arrive.)

Look your drawing over carefully making sure that each unit has a door or drawer fronts, hinges or drawer packs and handles. Double check everything!

9. Calculate how much plinth, cornice and pelmet you need

Plinths go around the bottom of your base kitchen units – all visible sides.

Pelmets go around the bottom of your wall units and around the sides to the wall where visible.

Cornice is the decorative finish around the top of your wall units and spans the length of the unit plus around the sides to wall where visible.

For each of plinth, cornice and pelmet measure the length of each run of units.

Add together all of your measurements using a calculator to get a total length. You will need to make cuts to your lengths so multiply this total by 1.2 to allow for wastage between cuts.

Divide this amount by the length that the plinth, cornice or pelmet is supplied and round this up to the nearest complete length.

Plinth is usually supplied in 2500mm

Cornice and Pelmet are usually supplied in lengths of 3000mm

10. Record any Accessories you may need.

Do you need?

Blanking panels, End Panels, Tray spaces

Wine racks, Fascia Hoods, Curved Doors, Curved Units

Cutlery Trays, Wirework

Lighting

Finally, check ALL your measurements and check them twice!

You should now have a complete list of everything you need on your plan.

Transfer everything on to your order summary sheet if you are choosing to fax us your order. You can [download a copy here](#). Tick everything in pencil as you go to make sure you transfer everything over.

Fax your order through to us on the number shown on the sheet or scan it and email it to us and we will contact you to check your order and arrange payment. If you fax your order, please also email or telephone us to let us know that it is on its way.

If you are ordering online, tick each item in pencil as you place it in your basket and then check again with another pencil cross against your basket once complete.

If you have any problems drop us an email or give us a call and we will be happy to help you place your order.

Kitchen Measuring Plan

Wall Units

--	--	--	--	--	--	--	--	--	--

Base Units

--	--	--	--	--	--	--	--	--	--

Base Units	Handles	Pelmet
Wall Units	Drawer Packs	Accessories
Doors	Plinth	
Hinges	Cornice	